



# OK LUB 11

## ELECTRIC GREASE PUMP FOR PROGRESSIVE SYSTEMS



### OK LUB 11

The **OK LUB 11** is the latest addition to the extensive range of Flenco Lubricators.

**OK Lub11** eliminates the need for external control of the lubrication system as the control is fully integrated within the pump. The low input supply of 24 volts DC ensures a safe operating facility.

The **OK LUB 11** can be used with continuous or intermittent operation.

#### CHARACTERISTICS:

##### MOTOR:

Power supply	12-24 volt DC
Pump drive speed	15 rpm
Power consumption	27 watts
Pumping element 8 mm $\varnothing$ ( $\frac{3}{8}$ " bsp Lubricant outlet)	
Maximum back pressure	200 bar
Pump output	1.5 cm <sup>3</sup> /min. – 2.6cm <sup>3</sup> /min.
Number of pumping elements 1 - 3	
Transparent reservoir capacity	1.5 to 2 kg
Steel reservoir capacity	5 kg
Lubricant	NLGI 2 maximum

##### MATERIAL AND TREATMENT

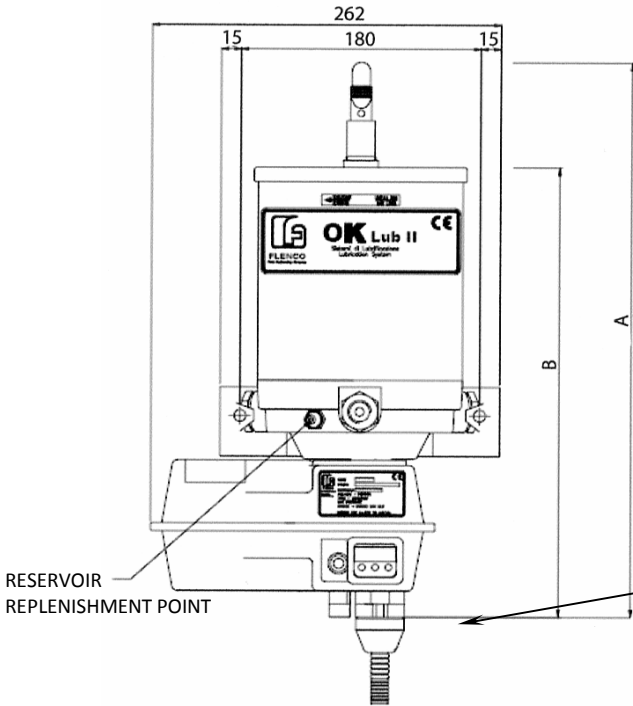
Pump casing	Aluminium alloy
Reservoir cover	Polycarbonate
Geared motor fairing	Glass-fibre reinforced polyamide
Pumping elements	Galvanized steel



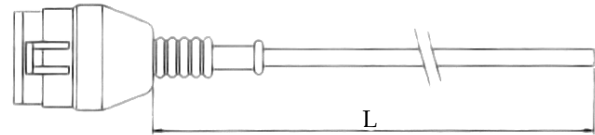
Specialist Lubrication  
Engineers

# OK LUB 11

## ELECTRIC GREASE PUMP FOR PROGRESSIVE SYSTEMS



DIMENSIONS	DIMENSION A	DIMENSION B
Reservoir 1.5 kg	356 mm	356 mm
Reservoir 2 kg	425 mm	334 mm
Reservoir 5.kg	608 mm	608 mm



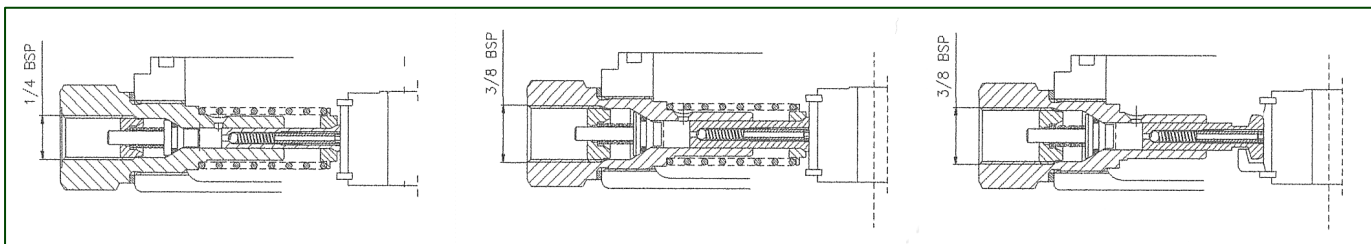
POWER INPUT CABLE	
Part No 8147015	L = 2 metres
Part No 8147019	L = 4 metres
Part No 8147029	L = 6 metres
Part No 8147031	L = 8 metres

(ORDER SEPARATELY)



T-fitting Kit + pressure gauge P/N 7120101.  
For 8mm Ø pumping elements a 3/8" bsp male x 1/4" female reducing adaptor is required  
Part Number 8093009

### PUMPING ELEMENTS



Part no.7234010

6mm Ø piston with spring return

Part no.7234011

8 mm Ø piston with spring return

Part no.7234012

8 mm Ø piston with mechanical return



Specialist Lubrication  
Engineers

# OK LUB 1 1

## ELECTRIC GREASE PUMP FOR PROGRESSIVE SYSTEMS

PART NUMBER	PUMPING ELEMENT	LUBE LEVEL CONTROL	ELECTRONIC CONTROL CARD	RESERVOIR CAPACITY	VOLTAGE
6014200	6mm Ø with spring return	-	•	1.5kg	24Volt DC
6014201		-	•		
6014202		-	-		
6014203		-	-		
6014204	8mm Ø with spring return	-	•		
6014205		-	•		
6014206		-	-		
6014207		-	-		
6014208	8mm Ø with mechanical return	-	•		
6014209		-	•		
6014210		-	-		
6014211		-	-		
6014220	6mm Ø with spring return	•	•	2kg	
6014221		-	•		
6014222		•	-		
6014223		-	-		
6014224	8mm Ø with spring return	•	•		
6014225		-	•		
6014226		•	-		
6014227		-	-		
6014228	8mm Ø with mechanical return	•	•		
6014229		-	•		
6014230		•	-		
6014231		-	-		
6014260	6mm Ø with spring return	•	•	5kg	
6014261		-	•		
6014262		•	-		
6014263		-	-		
6014264	8mm Ø with spring return	•	•		
6014265		-	•		
6014266		•	-		
6014267		-	-		
6014268	8mm Ø with mechanical return	•	•		
6014269		-	•		
6014270		•	-		
6014271		-	-		



### R J Mellor & Co Ltd

1 Devonshire Grove, Sheffield, South Yorkshire, England, S17 3PG  
 Tele: +44 (0) 114 236 8666 Fax: +44(0) 114 236 3020  
 E-mail: sales@rjmellor.co.uk Web: www.rjmellor.co.uk

Specialist Lubrication  
Engineers

The information contained in this data sheet is for guidance only and does not form part of any contract. The accuracy cannot be guaranteed as R J Mellor & Co Ltd. has an ongoing process of development and reserve the right to change the specification of their products without notice